

Manual Wood Walker

A simple traditional wood walker style umbrella, appealing to estate agents, accountants and small businesses demanding a big brand presence statement on a budget.

Specification

60cm fibreglass ribs and durable locking mechanism
Quality polyester pongee canopy
100cm diameter. 14mm wood shaft. 89 cm length
Black plastic umbrella tip.
Traditional curved wooden handle

Options



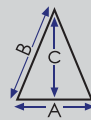
- Colour matched double or inside canopy
- Colour matched perimeter tape
- Tailored and printed sleeve
- Embroidered and woven labels
- Pantone matched options
- Screen printing and full digital and process print

Covered by our 2 year no quibble warrantee

Available from stock in range of 30 colours
Fully Pantone matched fabric colours.



Frame Details:

	Open - 101 cm
	Length - 89 cm
	Dimensions: A= 39 cm B= 60 cm C= 54 cm

We don't do grey - we do 32 shades of it*

Stock Colour range for both internal and External umbrella canopies
Panels can be mixed and matched as to design requirements

